

# SET-UP SHEET

#95696

# S400

**NAME** Michael Abreira

**RACE** FSEARA Race #3

**TRACK** Superior Hobbies

SURFACE  ASPHALT  CARPET

**COMMENTS** Low-Medium Traction

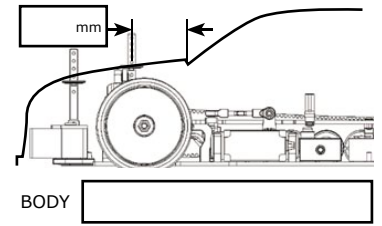
**MOTOR** Novak 10.5

**ESC** Novqak GTB

**CELLS** EA Motorsports Energ 4600

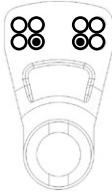
**COMMENTS** Gear ratio is using 18 tooth center pulley. (1.94 Internal) Shock holes in black indicate holes open.

## BODY POSITION



## FRONT

### SERVO SAVER



### SHOCK ABSORBERS

Holes

Oil **30wt Xray**

Spring **Serpent Orange**

### FRONT AXLE

Ball Diff

LOOSE TIGHT

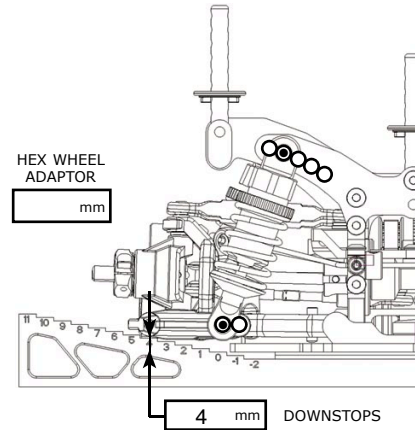
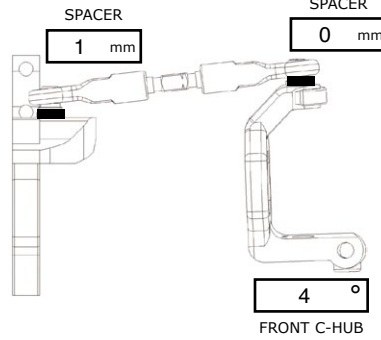
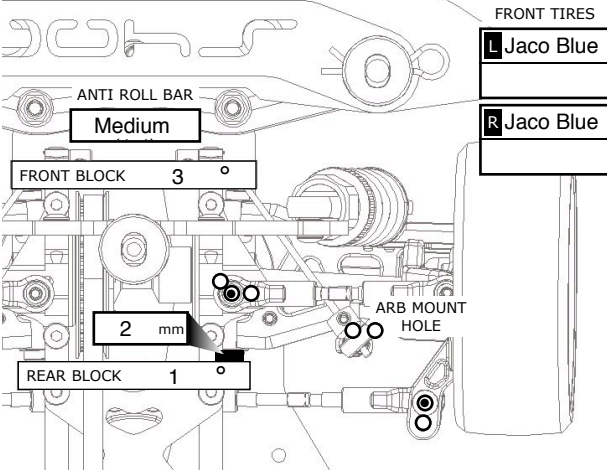
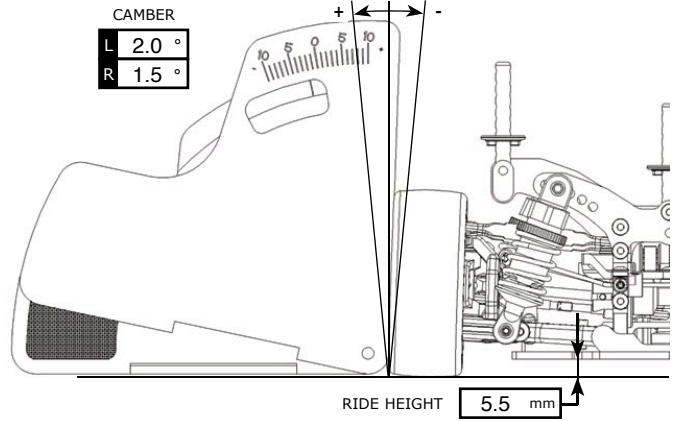
Solid Axle

One Way

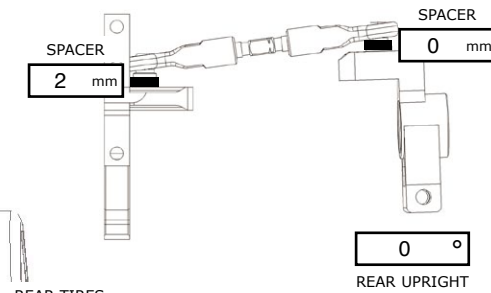
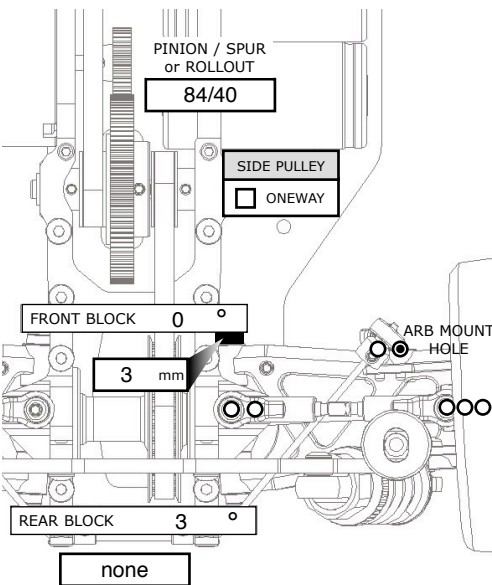
CAMBER

L 2.0 °

R 1.5 °



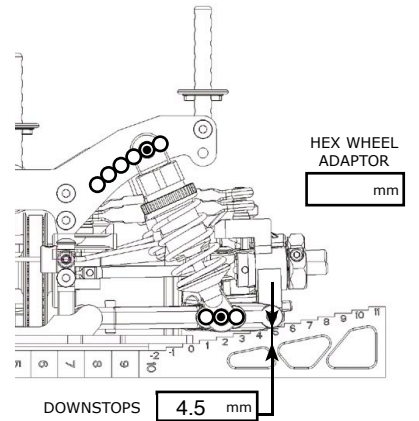
## REAR



REAR TIRES

L **Jaco Blue**

R **Jaco Blue**



### REAR AXLE

Ball Diff

LOOSE TIGHT

Solid Axle

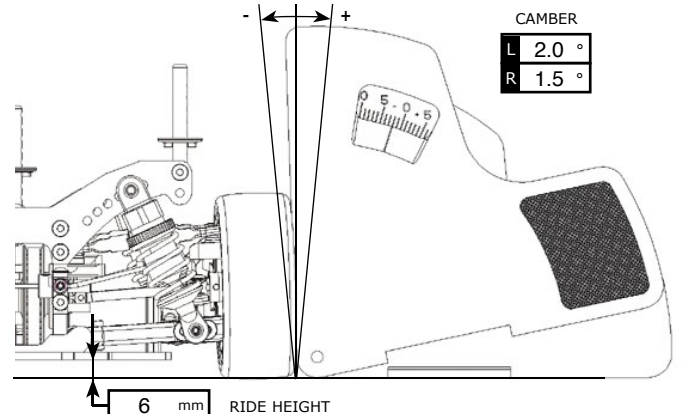
Gear Diff

**1000wt** cst

CAMBER

L 2.0 °

R 1.5 °



### SHOCK ABSORBERS

Holes

Oil **Xray 30wt**

Spring **Serpent White**