

NAME

RACE

TRACK

SURFACE ASPHALT CARPET

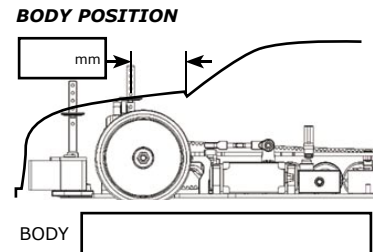
COMMENTS

MOTOR

ESC

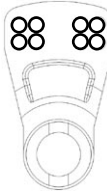
CELLS

COMMENTS



FRONT

SERVO SAVER



SHOCK ABSORBERS

Holes

Oil

Spring

FRONT AXLE

Ball Diff

LOOSE TIGHT

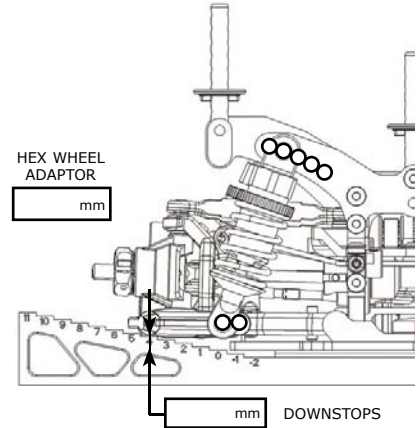
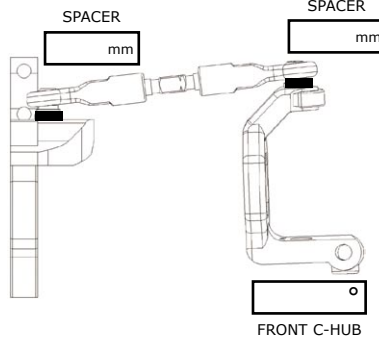
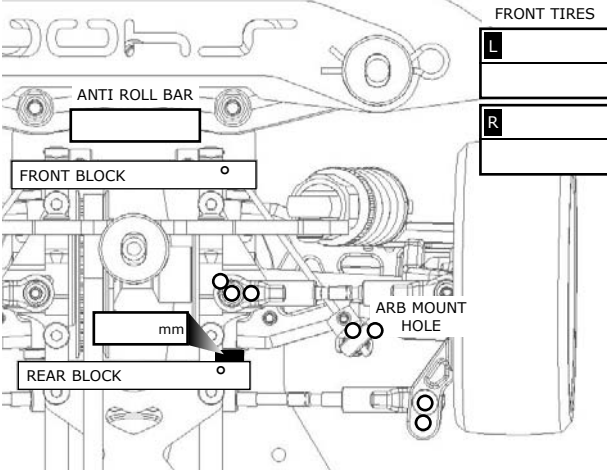
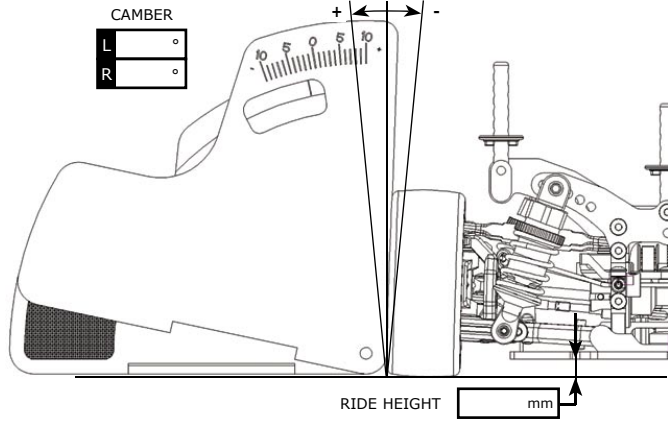
Solid Axle

One Way

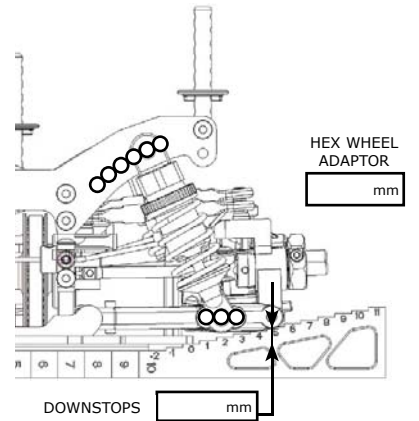
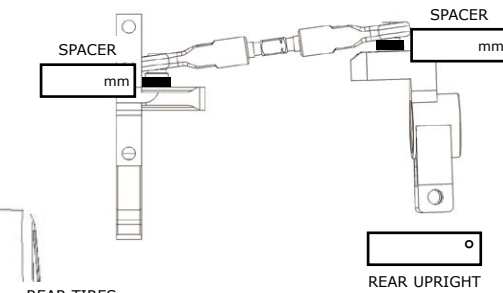
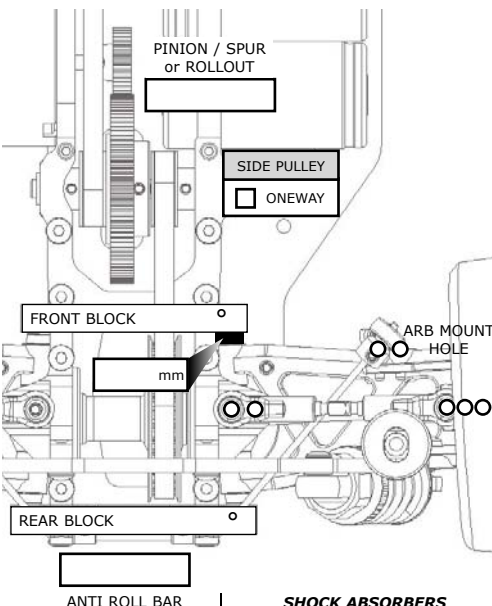
CAMBER

L

R



REAR



REAR TIRES

L

R

REAR AXLE

Ball Diff

LOOSE TIGHT

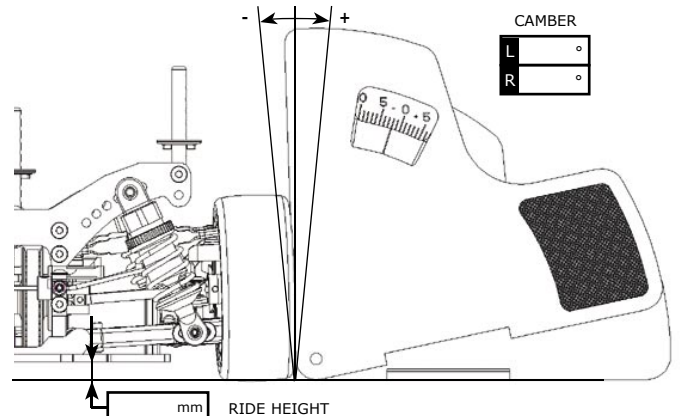
Solid Axle

Gear Diff cst

CAMBER

L

R



SHOCK ABSORBERS

Holes

Oil

Spring